



Model 139974 Screened Gazebo Assembly Instructions

STEP 1 - Separate all poles and hubs according to the number indicated on the poles. For easier assembly, the parts are separated into three groups. Assemble the roof section first (red bags), then the eaves (grey bags), then the legs (black bag).

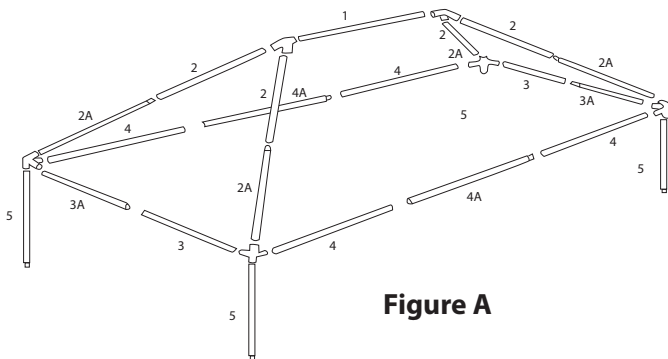


Figure A

STEP 2 - Assemble top frame according to the diagram above (figure A). One corner at a time insert the #5 poles (top of the leg section) into the corner hubs.

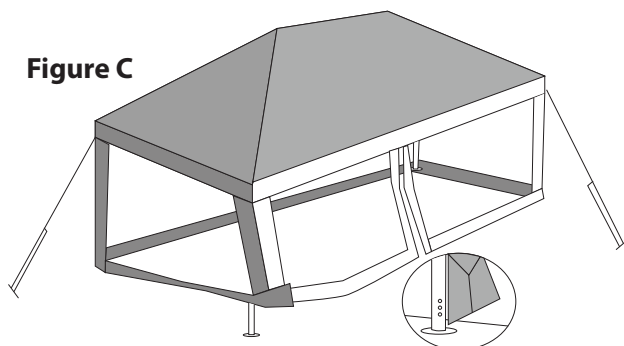


Figure C

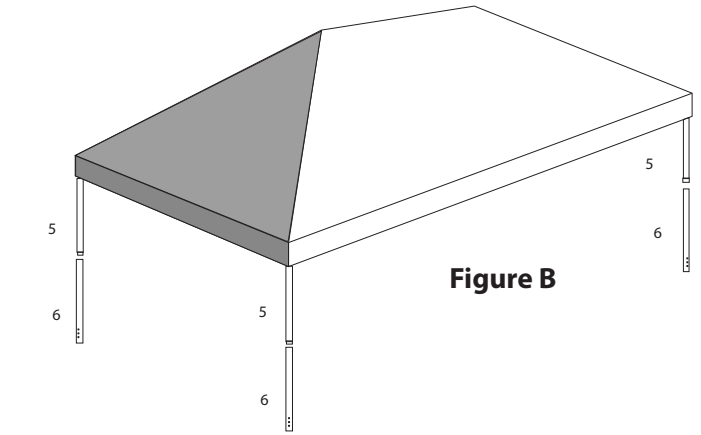


Figure B

STEP 3 - Align the long side of the gazebo cover with the long side of the frame. Gently pull the gazebo cover over the top of the frame assembly ensuring that the material and screen do not snag on the frame. Position the gazebo cover so that the top corners align with the corner hubs of the frame assembly.

STEP 4 - One corner at a time, lift the gazebo cover to expose the end of the #5 pole. Lifting the corner of the entire gazebo, insert the #6 pole (bottom of the leg section) into the #5 pole. Repeat on the remaining three corners (figure B).

STEP 5 - Hook the leg hook that is attached to the bottom corners of the gazebo cover into one of the holes at the bottom of each frame leg assembly (figure C). Do not use excessive force. Stake out the four corners of the gazebo and attach the fastening strips located inside the gazebo on the roof. Stake down remaining stake loops.

Note: included in this gazebo are four base assemblies. These can be used to secure the gazebo to a deck or patio using the holes located on the base assemblies to bolt onto the deck or patio. It is not necessary to use these when using this gazebo on the ground.

NO.	PART	QTY
1		1 PC
2		4 PCS
2A		4 PCS
3		2 PCS
3A		2 PCS
4		4 PCS
4A		2 PCS
5		4 PCS
6		4 PCS

NO.	PART	QTY
CORNER HUB		4 PCS
POLE BASE		4 PCS
RIDGE HUB		2 PCS
STAKE		12 PCS
GUY ROPE		4 PCS

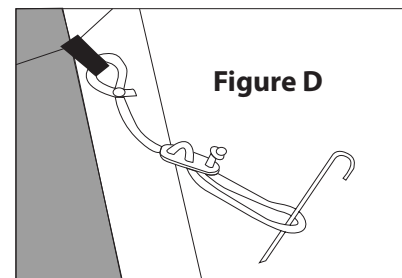


Figure D

STEP 6 - Guy out your gazebo for added stability by using the included guy ropes and adjusting sliders. Tie one end of each guy rope to each of the four D-rings located on the outside corners near the roof. Thread the other end of each rope through each of the four sliders (fig D). Stake the end of the guy rope to the ground at a 45 degree angle from each corner.



Please read completely before setting up your Gazebo

It is your responsibility to read and save these instructions before attempting to set up your canopy. We would also like to suggest that you follow these safety precautions, care and maintenance tips when using your canopy:

1. Never set up or continue to use in any rain, wind or storm conditions, especially lightning storms. Damage can occur to your canopy and put you and others in potential danger.
2. Know your gazebo. Excessive force must not be used on any part of tent or poles during assembly. Set up the gazebo in your yard, to become familiar with pitching procedure, prior to first use.
3. Clear site of twigs, rocks, and other debris. Pitch gazebo on the ground slightly higher than surrounding area, avoiding ground depressions where water can collect. You should always stake out your gazebo. Drive stakes into ground at an angle with head pointing away from the gazebo. Always use the guy ropes provided.
4. Color fading caused by ultraviolet exposure (UV): This fabric is tested for color fastness at the factory. Only fabrics that display long color fast characteristics are used. Prolonged exposure to sunlight, however, may have a bleaching effect on any fabric, and causes color fading and fabric degradation. **Leaving your gazebo set up for an extended period of time may cause damage to the fabric due to the sun's ultraviolet rays, which is not covered under the warranty. "Acts of god" are also not covered under the warranty.**
5. Avoid setting up your canopy on steep inclines.
6. Always use the provided stakes to secure your canopy to the ground unless you set up on concrete or asphalt.
7. Do not use your canopy for permanent shelter. It was designed for temporary use only.
8. Keep your canopy away from heat and flames at all times. Do not barbecue or build fires under you canopy.
9. Never leave your canopy unattended.
10. Hand wash the canopy using only mild soap and water. Never use harsh detergents, abrasives or bleach. Do not machine wash.
11. Extend product life with good maintenance. Dry thoroughly before taking down. Do not store gazebo wet. (Even a small amount of moisture can cause mold and mildew). Store gazebo in a well ventilated dry area. Do not store on concrete floor, as this encourages mildew. If mildew does appear, wash gazebo with soap and dry in sun.
12. Do not spray with insecticides; This will destroy flame retardant and water repellent properties of the fabric. Harsh detergents can also damage properties of the fabric.
13. **ALWAYS USE COMMON SENSE.**

WARNING: KEEP ALL FLAME AND HEAT SOURCES AWAY FROM THIS TENT FABRIC. This tent meets the flammability requirements of CPAI-84. The fabric will burn if left in continuous contact with any flame source. The application of any foreign substance to the tent fabric may render the flame resistant properties ineffective.

DO NOT RETURN YOUR CANOPY TO THE PLACE OF PURCHASE

Please contact Bravo Sports for questions, comments, parts & accessories, or assistance with any warranty related issues.

Bravo Sports 12801 Carmenita Rd. Santa Fe Springs, CA 90670
quikshade.com

Toll free: (800) 248-5327